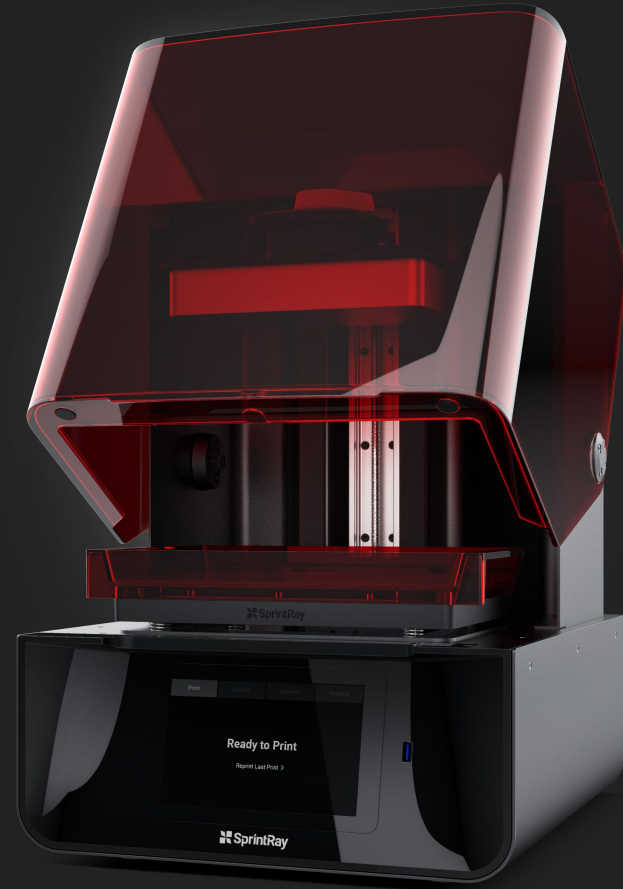


 SprintRay

# Pro 3D Printer





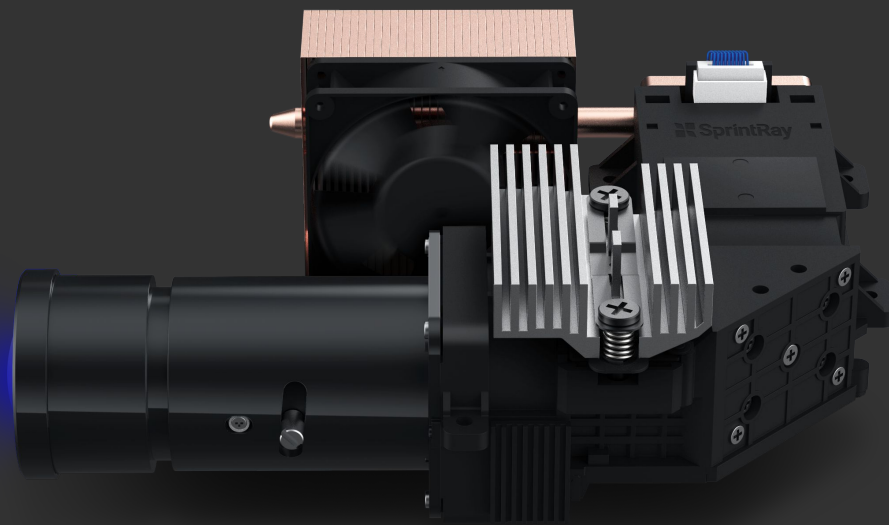
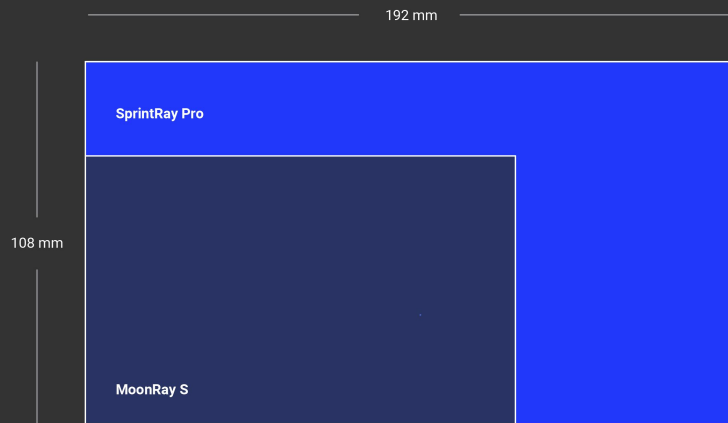
## SprintRay Pro 3D Printer

- 2x Platform Size
- Up to 3x Faster
- Up to 6x More Throughput
- 70% increase in Resin Capacity
- Broad applications (Aligners, Surgical Guides, Splints, Dentures, IBT)
- 3rd Party resin support
- Powerful 6-core on-board CPU
- 7" Touch Screen
- New CAD Software Features

# Projector

2x intensity reduces exposure time for faster prints;  
print horizontal arches in under 30 minutes.

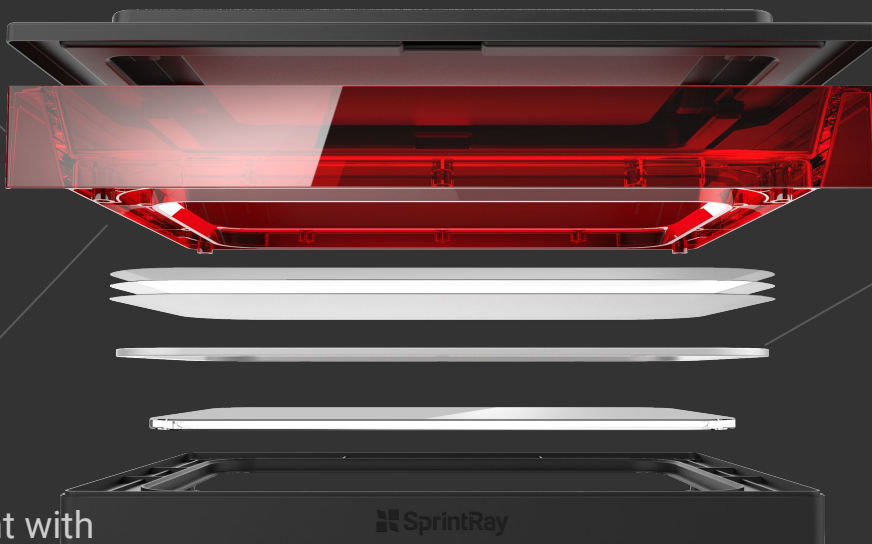
Pixel-level calibration across build surface ensures  
dimensional and light-intensity accuracy.



## Resin Tank

70% increase in tank volume; smart resin level indicators

Stackable cover for managing multiple resins



Heating element with thermal feedback ensures proper resin temperature

## STEM Tank™ Surface:

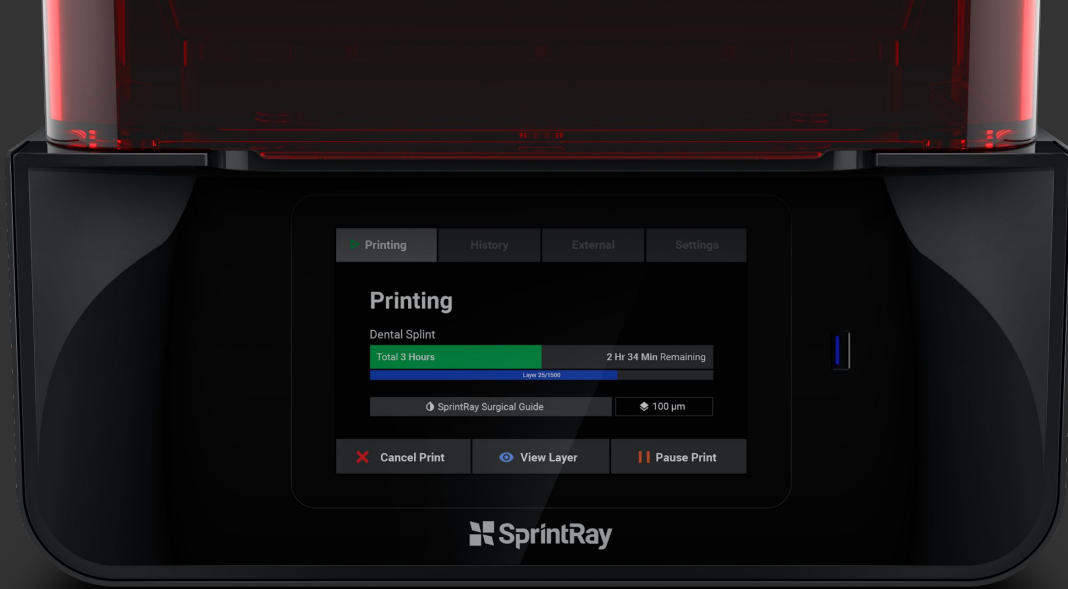
Selectively Textured Elastomeric Membrane

Textured and elastic surface prevents resin from sticking to tank floor

## Build Platform



- 216 cm<sup>2</sup> surface area
- Print 7 arches horizontal, 21 vertical
- Machined flat for even prints
- Textured surface for ideal print adhesion
- Easily position on flat surface to remove prints upon job completion
- Secure lock to z-axis



## Touchscreen, CPU and USB

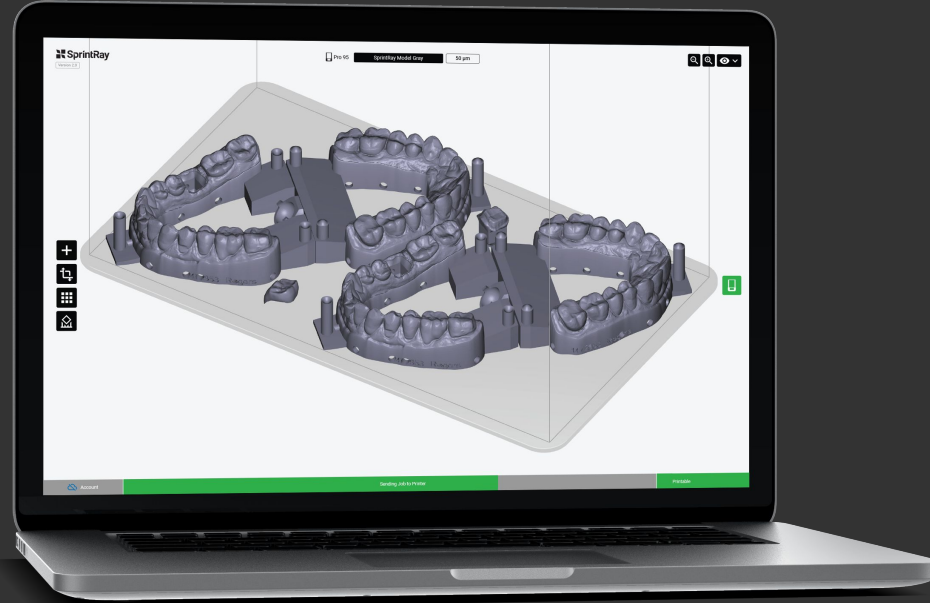
7" Gorilla Glass display is durable and easy to read; beautiful, intuitive user interface.

Easily select print parameters, monitor status and get on-board help; backed by 6-core CPU for print job processing and future profile upgrades.

Front panel USB port for loading print jobs.

**Easy, Intuitive, Future-Proof Processor & Controls**

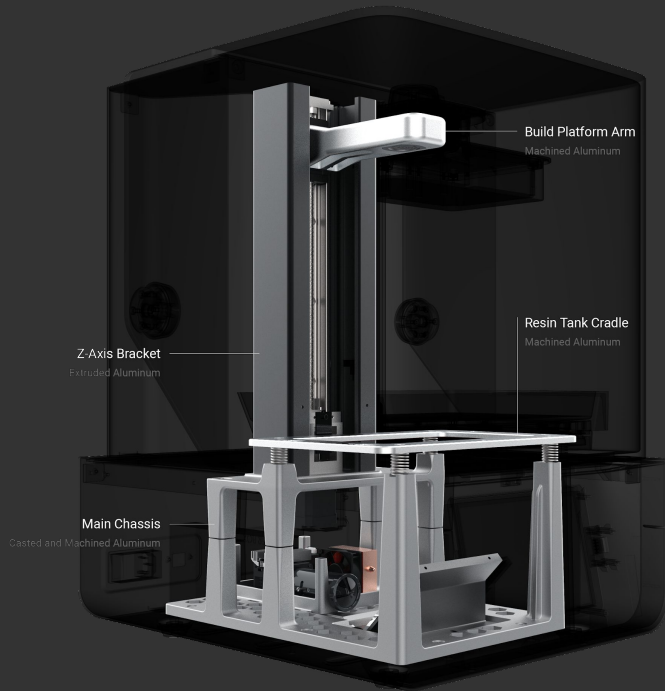
# All New Software



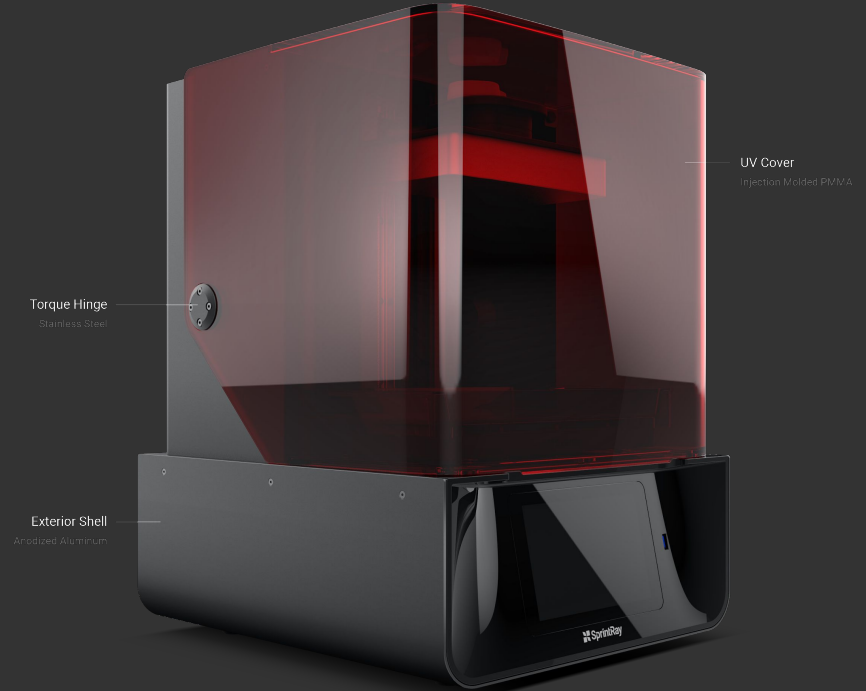
Model Basing | Scan Repair | Automatic Labeling

**SprintRay Software automation solves tedious CAD tasks**

# Chassis, Panels, and Build Quality



Precision magnetic lock ensures perfect alignment



Magnetic switch confirms cover is closed during operation



# SprintRay Resins



Dentures



Study Model / Aligner



Surgical Guide



Indirect Bonding Tray



Occlusal Guard



Removable Die

# 3rd Party Resin Support

**DENTCA™**  
CAD/CAM DENTURE



**70 Jahre**  
**Innovation**  
**aus Tradition**



**Next Dent**



# Spec Comparison



**SprintRay Pro 95**

Desktop



**Formlabs Form 2**

Desktop



**Carbon M2**

Industrial

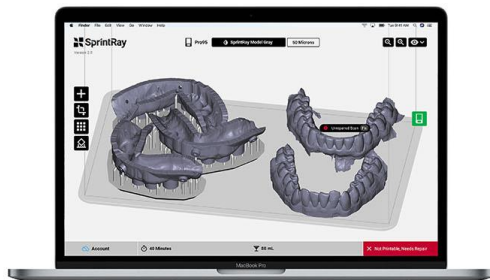


**EnvisionTec VIDA HD**

Benchtop

Build Volume	18 x 12 x 20 cm 216 sq cm surface area	14 x 14 x 17 cm 196 sq cm surface area	18 x 12 x 32 cm 216 sq cm surface area	9 x 5 x 10 cm 45 sq cm surface area
Print Speed	Minimum of 5 cm per hour Up to 7cm per hour with variable speed	Variable - at best 0.5 cm per hour due to limitations of laser	Minimum of 7 cm per hour Maximum speed N/A	N/A
Resolution (lower is better)	95 Microns	140 Microns (laser spot)	75 Microns	50 Microns
User Interface	7" touch-screen with direct USB print	3" touch-screen	5" touch-screen	7" touch-screen
Printing Mechanism	Direct peel	Sliding peel	Direct peel	N/A
Curing System	SprintRay custom built UV DLP 1080 with dynamic intensity control	Laser	DLP	DLP
Built-in Computer	SprintRay custom built 6-core CPU with Mali GPU for on board processing	Microcontrolled	N/A	PC
Footprint	35 x 40 x 50 cm	35 x 33 x 52 cm	60 x 60 x 200 cm	40 x 35 x 79 cm
Online Dashboard	Free and Paid Cloud Services	Free Dashboard	Dashboard	None

# SprintRay Software



	<b>SprintRay Software</b>	<b>Formlabs Preform</b>	<b>Carbon Software</b>	<b>EnvisionTec</b>
	Mac/Windows	Mac/Windows	Web Based	Windows Only
Scan Repair	Automatic	No	No	No
Mesh Repair	Yes	Yes	No	No
Real-time Printability Check	Yes	Yes	No	No
Cloud Connected	Yes	Yes	No	No
Editable Supports	Yes	Yes	Yes	Yes
Real-time Supports Analysis	Yes	Yes	No	No
Text for Patient Management	Yes	Yes	N/A	N/A
User Friendliness	Optimized for all	Optimized for all	Requires a technician to operate	Requires a technician to operate

### Resin Agnostic

Choose the materials that are best for your applications. SprintRay Pro offers a wide variety of tested, verified resins from 3rd party vendors and we're always adding new options.



Ortho Models



Surgical Guides



Dentures



Impression Trays



Splints and Night Guards



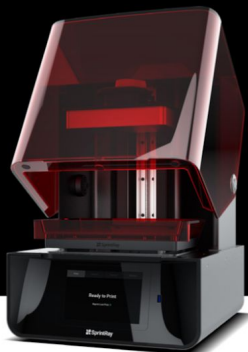
Removable Dies



Indirect Bonding Trays

### SprintRay Software

Automatically convert intraoral scans to full models, ready for printing. Add labels to model supports. SprintRay Software automates the frustrations away from dental 3D printing.



### Pro Cure

Pro Cure uses powerful LED arrays and convection heating to make post-processing a snap. Pre-programmed with settings for most popular resins.

 **SprintRay**

# Pro 3D Printer

Ready for today, built for tomorrow



 **SprintRay**

Order yours today.  
[www.sprintray.com](http://www.sprintray.com)

Get in touch with our sales team.  
[sales@sprintray.com](mailto:sales@sprintray.com)

Order Number  
SRI-0102001

### Capable

A breakthrough projector and resin tank, combined with a larger build platform, enable unprecedented throughput.

### Easy

Easily close intraoral scans without the need for third-party software. Auto-detect issues before you print.

### Advanced

Remote printing, over-the-air updates, and an advanced touchscreen computer that can print directly from a USB drive.

SprintRay Pro

## The New Industry Standard

3D printing in dentistry is much more than just a new technology; it has the potential to control costs, improve flexibility, and expand the scope of patient care. To deliver on this potential, we made SprintRay Pro the most user-friendly, powerful and, reliable desktop printer in dentistry. Because the technology in your office needs to solve problems, not create headaches.



### Industrial Volume

Enough throughput to handle the largest jobs. SprintRay Pro features a larger build platform (18cm x 12 cm surface area) than its competitors while maintaining its desktop form factor.



Up to 21 Arches

### Unprecedented Speed

With industry-first advances in resin tank and projector technology, SprintRay Pro is up to three times faster than its predecessor while offering improved accuracy.



Up to 3x Faster

### Intensity, meet accuracy

The custom projector in SprintRay Pro delivers high-intensity light evenly across the build surface for perfect, accurate prints every time.



405nm UV LED

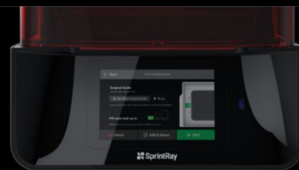
### Breakthrough tech, breakneck speed

Cutting-edge advancements in tank materials unlock huge gains in speed and reliability. SprintRay Pro's resin tank design is an industry first.

Up to 50 Liters Lifetime

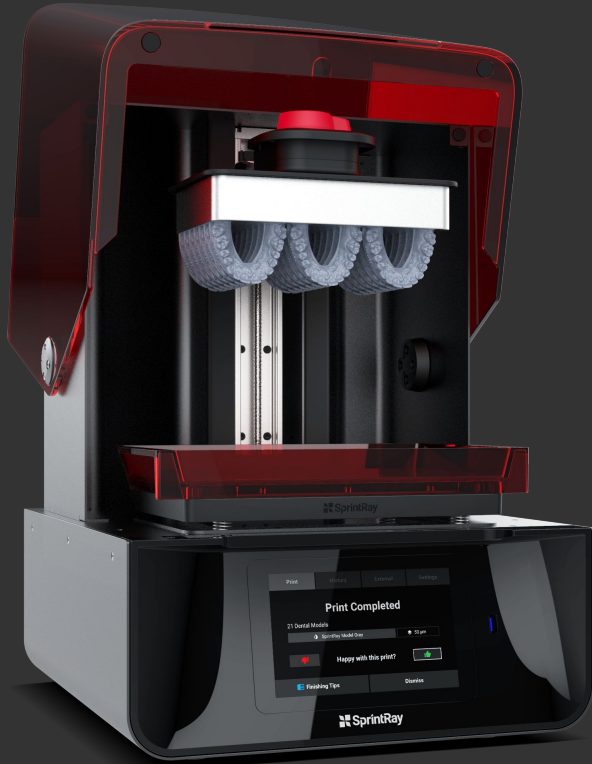
### Brains behind the brawn

Intuitive touchscreen controls and contextual instructions managed by a 6-core CPU make learning curves a thing of the past. Start print jobs directly from front panel USB port.



Onboard Assistant

# Pricing



**\$6,750 Retail**